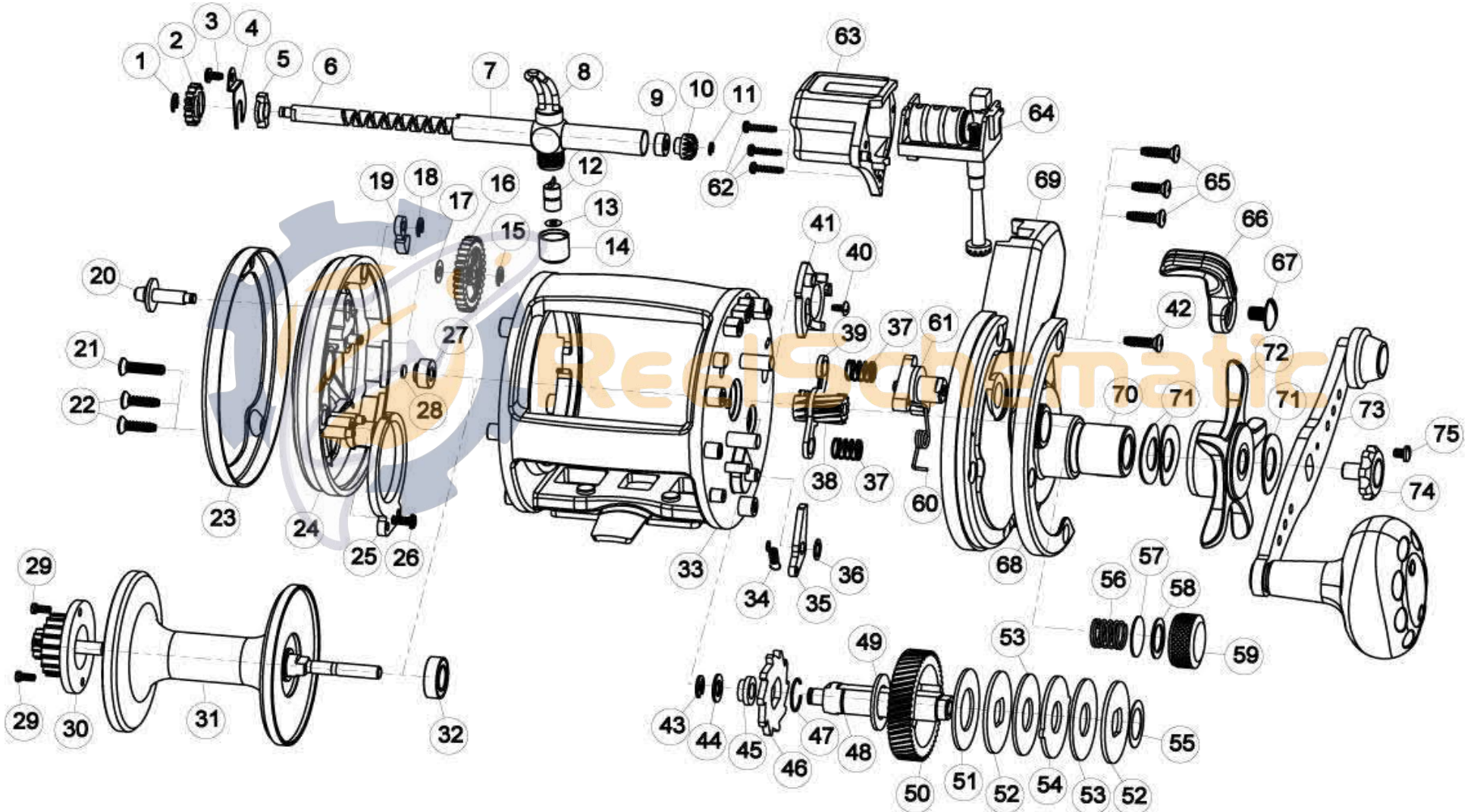


QUANTUM

Controller CN30LCA





Controller CN30LCA

Quantum CN30 LCA Trolling Reel Part List

Key #	Description	Qty.	Part No.	Key #	Description	Qty.	Part No.
1	E-CLIP	1	NX092-01	39	CLUTCH FLIP LEVER	1	EI025-01
2	LINE GUIDE SHAFT GEAR	1	TI058-01	40	SCREW	1	SI125-01
3	SCREW	1	TI073-01	41	CLUTCH FLIP PLATE	1	EI093-01
4	LOCATION PLATE	1	TI140-01	42	SCREW	1	WI053-01
5	BUSHING	1	TI067-01	43	E-CLIP	1	QW120-01
6	WORM SHAFT	1	WI072-01	44	WASHER	1	TI038-01
7	LEVEL WIND GUARD	1	TI016-01	45	BUSHING	1	TI017-01
8	LINE GUIDE RING	1	TI347-01	46	RATCHET	1	FI083-01
9	BUSHING	1	RI068-01	47	C-RING	1	RI075-01
10	GEAR	1	VI127-01	48	GEAR SHAFT	1	TI008-01
11	E-CLIP	1	NX092-01	49	WASHER	1	TI111-01
12	LINE GUIDE PAWL	1	EI006-01	50	MAIN GEAR	1	TI012-01
13	WASHER	1	BV035-01	51	WASHER	1	TI045-02
14	LINE GUIDE HOLDER SCREW	1	EI007-01	52	KEY WASHER	2	TI059-01
15	E-CLIP	1	NX092-01	53	DRAG WASHER	2	TI045-01
16	GEAR	1	RI152-01	54	EAR WASHER	1	TI048-01
17	WASHER	1	TI032-01	55	ADJUSTMENT WASHER	1	WI060-01
18	E-CLIP	1	NX092-01	56	DRAG NUT SPRING	1	TI114-01
19	CLICK PATCH	1	EI114-01	57	WASHER	1	TI082-01
20	CLICK KNOB	1	EI109-01	58	WASHER	1	TI121-01
21	SCREW	1	TI057-01	59	DRAG NUT	1	TI033-01
22	SCREW	2	TI057-02	60	SPRING	1	TI097-01
23	LEFT SIDE GUARD	1	TI128-01	61	ECCENTRIC CAM	1	EI141-01
24	LEFT SIDE PLATE	1	TI023-01	62	SCREW	3	VI057-01
25	SPRING CLIP	1	EI110-01	63	LINE COUNTER COVER	1	WI143-01
26	SCREW	1	WW107-01	64	LINE COUNTER ASSEMBLY	1	WI362-01
27	BALL BEARING	1	PG027-01	65	SCREW	3	TI057-02
28	WASHER	1	EI035-01	66	FLIP LEVER	1	LI114-02
29	SCREW	2	SI050-01	67	SCREW	1	EI053-01
30	TRANSMISSION GEAR	1	RI112-01	68	RIGHT SIDE GUARD	1	WI147-01
31	SPOOL ASSY	1	TI321-01	69	RIGHT SIDE PLATE	1	WI024-01
32	BALL BEARING	1	CH028-01	70	BUSHING	1	TI081-01
33	FRAME	1	TI301-01	71	SPRING WASHER	3	RI046-01
34	SPRING	1	SI104-01	72	STAR DRAG	1	TI355-01
35	PAWL	1	TI063-01	73	HANDLE ASSEMBLY	1	TI318-01
36	WASHER	1	TI045-01	74	HANDLE SCREW NUT	1	TI003-01
37	CLUTCH COMP. SPRING	2	EI040-01	75	SCREW	1	HI033-01
38	PINION GEAR	1	RI011-01				